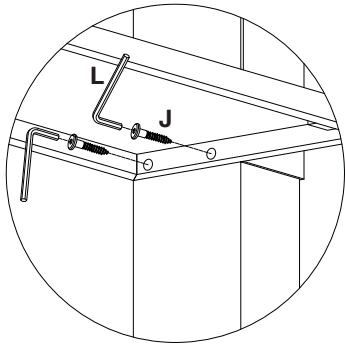
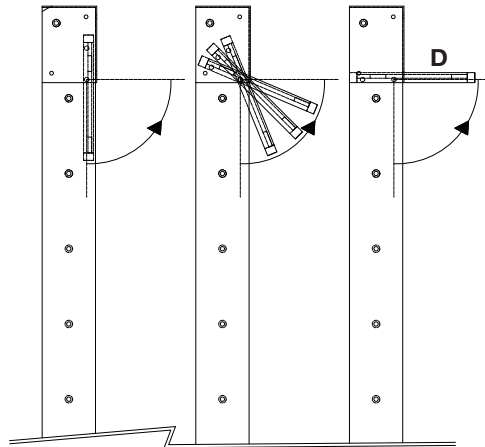


Smith & Hawken®

Potting Bench

5. Rotate Metal Shelf (D) as shown. Secure each edge of the Metal Shelf to the vertical post bar with Short Screws (J). Tighten all screws with Hex Wrench (L).



6. Hang Storage Bins (E) on the horizontal bars.

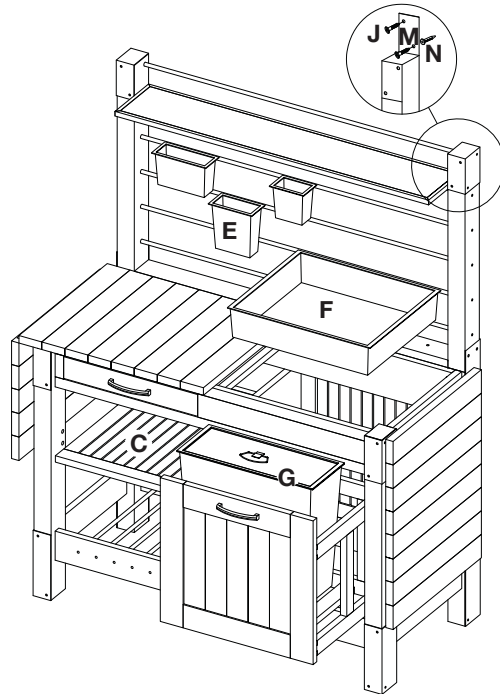
7. Place the Mixing Bin (F) under the removable panel.

8. Place the 2 Soil Bins (G) in the large drawer.

9. Adjust Shelf as needed by changing the position of the Metal Pins (I).

Optional

10. Drill two holes in wall aligned with holes on the Wall Plate (M). Insert Wall Anchor (N). Secure Wall Plate with Short Screws (J). Tighten all screws with Hex Wrench (L).



With Smith & Hawken's 30 year history, you can rest assured that each piece we sell is impeccably crafted and beautifully designed to honor the heritage of gardening and outdoor living. We thank you for purchasing the Potting Bench, a piece that's sure to bring you years of enjoyment.

To ensure easy assembly, please read this manual. Should you experience any problems, please contact Guest Service at 1-800-591-3869.

NOTE: BEFORE ASSEMBLING, MAKE SURE YOU HAVE ALL PARTS AND HARDWARE LISTED BELOW.

Unpack the Potting Bench on a protected, level surface and identify the following components.

Included Parts

- | | |
|---------------------------|----------------------|
| A. Potting Bench (1) | I. Metal Pins (4) |
| B. Top Shelf Assembly (1) | J. Short Screws (18) |
| C. Adjustable Shelf (1) | K. Long Screws (2) |
| D. Metal Shelf (1) | L. Hex Wrench |
| E. Storage Bins (3) | M. Wall Plates (2) |
| F. Mixing Bin (1) | N. Wall Anchors (4) |
| G. Soil Bins (2) | |
| H. Corner Protectors (2) | |

Smith & Hawken®

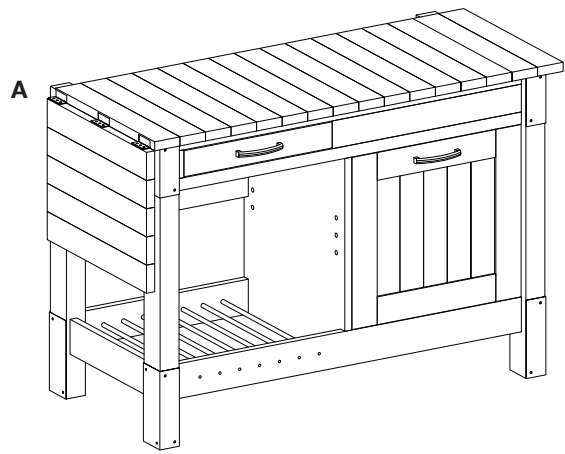
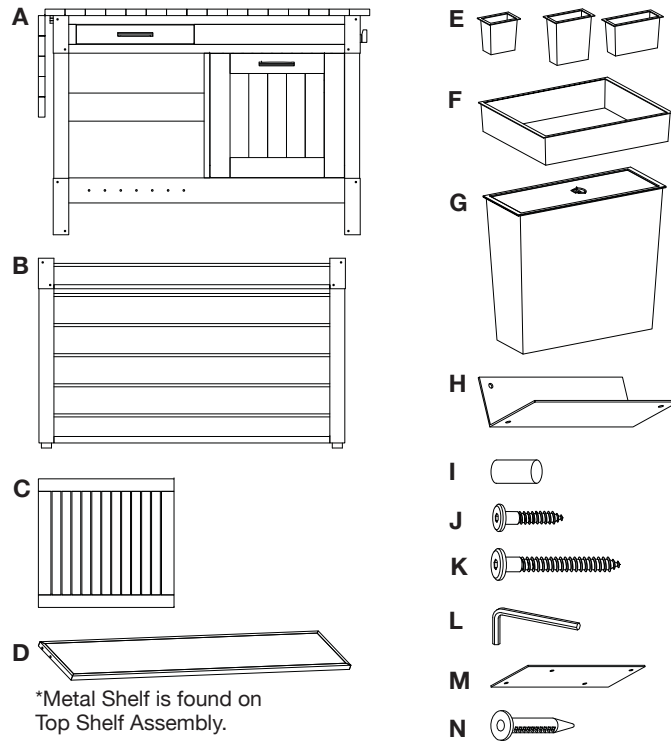
UNCOMPROMISING QUALITY™

Target.com/smithandhawken · Guest Service: 1-800-591-3869

© 2011 Target Stores.

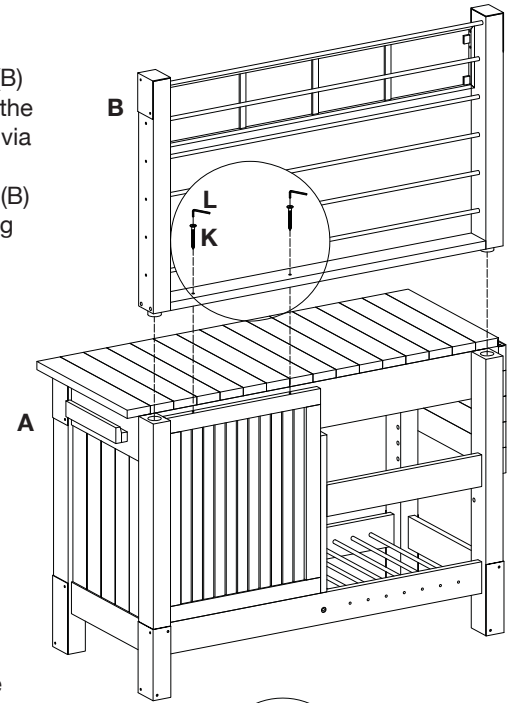
We recommend having two people on hand to safely assemble this product.

How to assemble Your Potting Bench

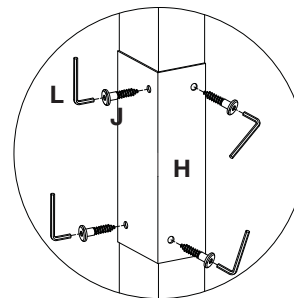


1. With one person on each side, slowly and carefully place Potting Bench (A) on a flat surface.

2. Attach Top Shelf Assembly (B) to Potting Bench (A). Connect the vertical posts to the back legs via the tenons. Connect the cross bar of the Top Shelf Assembly (B) to the back frame of the Potting Bench with Long Screws (K). Tighten screws with Hex Wrench (L).



3. Use Corner Protectors (H) and Short Screws (J) to secure the connection between the vertical bars and back legs in step 2. Tighten all screws with Hex Wrench (L).



Optional
4. Attach anti-tipping Wall plate (M) to Top Shelf Assembly (B) with Short Screws (J). Tighten all screws with Hex Wrench (L). Hex Wrench (L).

