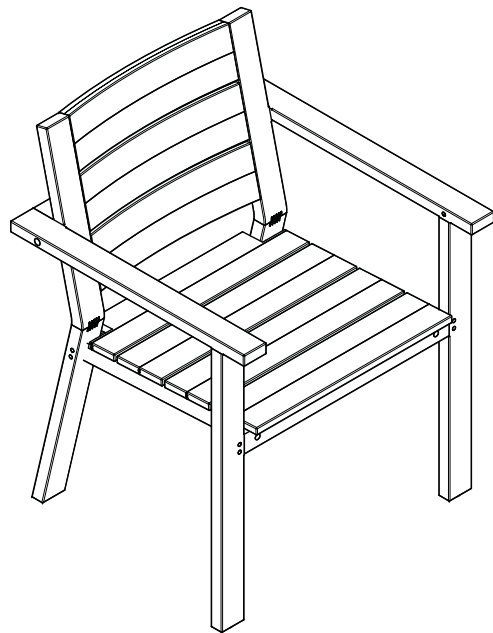
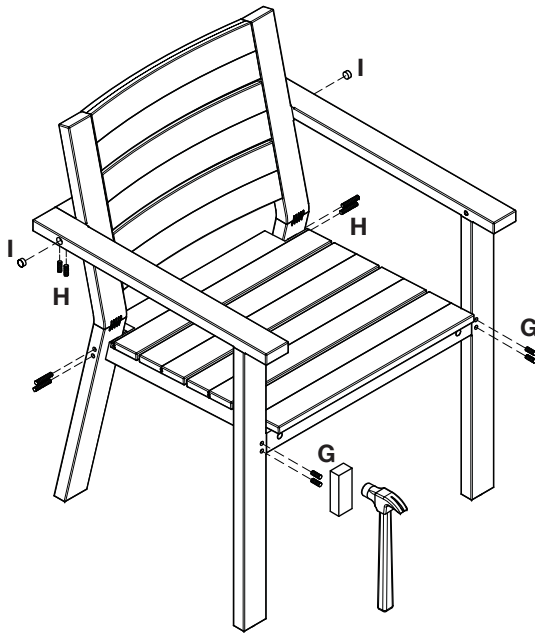


5. Insert the short dowels (G), tapered end first, in the Right and Left End Frames at the front of the chair and the top of the chair, and tap gently into place with the rubber mallet. If using a hammer, place the wood block between the dowels and hammer to avoid marring the teak. Do not use glue when inserting the dowels. Insert the Long Dowels (H) as indicated in the same manner to the Back Frame of the chair. Insert Wood Plugs (I) into screw hole in the back of each end frame.



6. Use the sand paper to sand down any protruding dowel ends. Wrap it around the wood block for better leverage while sanding.



UNCOMPROMISING QUALITY™

Target.com/smithandhawken · Guest Service: 1-800-591-3869

© 2011 Target Stores.



Solenti™ Collection Arm Chair

With Smith & Hawken's 30 year history, you can rest assured that each piece we sell is impeccably crafted and beautifully designed to honor the heritage of gardening and outdoor living. We thank you for purchasing the Solenti Collection Arm Chair, a piece that's sure to bring you years of enjoyment.

To ensure easy assembly, please read this manual. Should you experience any problems, please contact Guest Service at 1-800-591-3869.

NOTE: BEFORE ASSEMBLING, MAKE SURE YOU HAVE ALL PARTS AND HARDWARE LISTED BELOW.

Unpack the Solenti Collection Arm Chair on a protected, level surface and identify the following components.

Included Parts

- A. Back Frame
- B. Seat Frame
- C. Right End Frame
- D. Left End Frame

Included Hardware

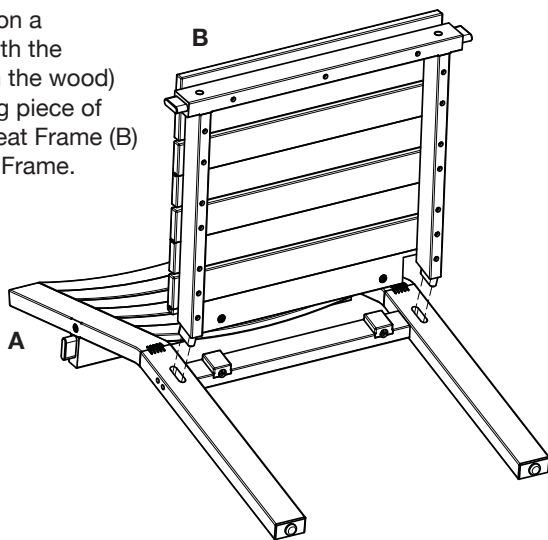
- E. Short Bolt (2)
- F. Long Bolt (2)
- G. Short Teak Dowel (8)
- H. Long Teak Dowel (4)
- I. Wood Plug (2)
- Hex Wrench
- Wood Block
- Sand Paper

Tools Required for Assembly

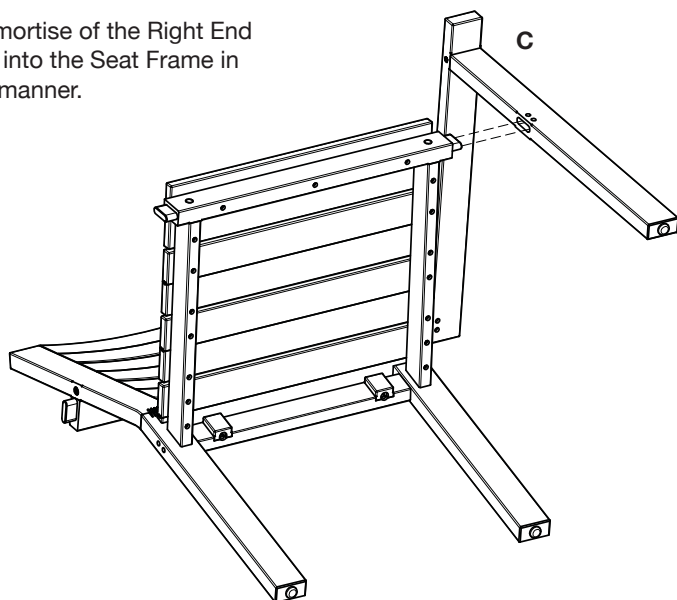
To avoid marring the teak, use rubber mallet or hammer and the wood block to insert the dowels. We recommend having two people on hand to safely assemble this product.

How to assemble Your Solenti Collection Arm Chair

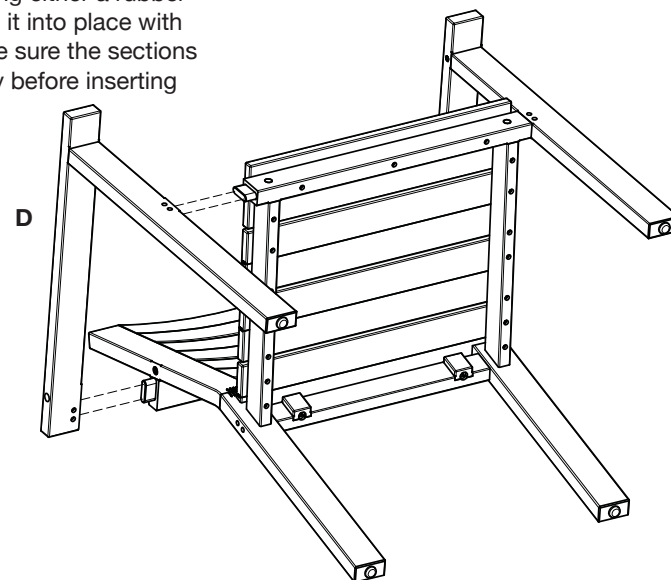
1. Lay the Back Frame (A) on a protected, level surface, with the mortises (precut sockets in the wood) and single tenon (projecting piece of wood) facing up. Lift the Seat Frame (B) and lower it onto the Back Frame.



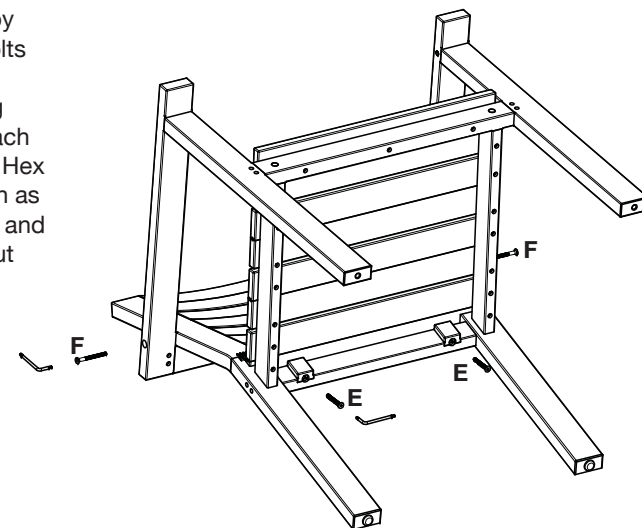
2. Fit the mortise of the Right End Frame (C) into the Seat Frame in the same manner.



3. Set the Left End Frame (D) onto the assembly using either a rubber mallet or working it into place with your hands. Make sure the sections fit together tightly before inserting any dowels.



4. Secure the seat by driving the Short Bolts (E) through the Seat Frame and the Long Bolts (F) through each End Frame with the Hex Wrench. Press down as you turn the screws and they will start without pre-drilled holes.



Instructions continued on back →