



Smith & Hawken®

Solenti™ Collection Dining Table

With Smith & Hawken's 30 year history, you can rest assured that each piece we sell is impeccably crafted and beautifully designed to honor the heritage of gardening and outdoor living. We thank you for purchasing the Solenti Collection Dining Table, a piece that's sure to bring you years of enjoyment.

To ensure easy assembly, please read this manual. Should you experience any problems, please contact Guest Service at 1-800-591-3869.

NOTE: BEFORE ASSEMBLING, MAKE SURE YOU HAVE ALL PARTS AND HARDWARE LISTED BELOW.

Unpack the Solenti Collection Dining Table on a protected, level surface and identify the following components.

Included Parts

- A. Table Top
- B. Legs

Included Hardware

- C. Flat Washer (8)
- D. Lock Nut with Nylon Ring (8)
- Wrench
- Wood Block
- Sand Paper



Smith & Hawken®

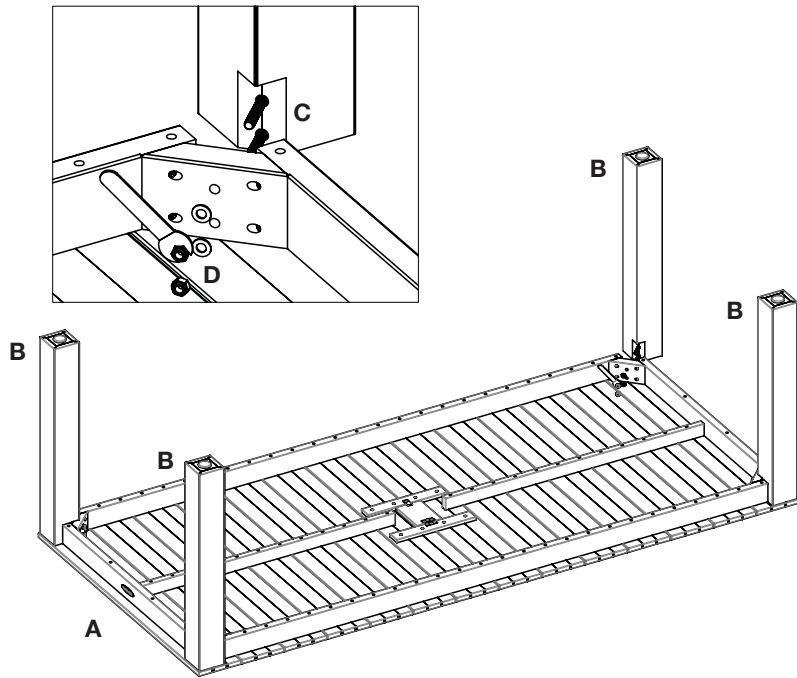
UNCOMPROMISING QUALITY™

Target.com/smithandhawken · Guest Service: 1-800-591-3869

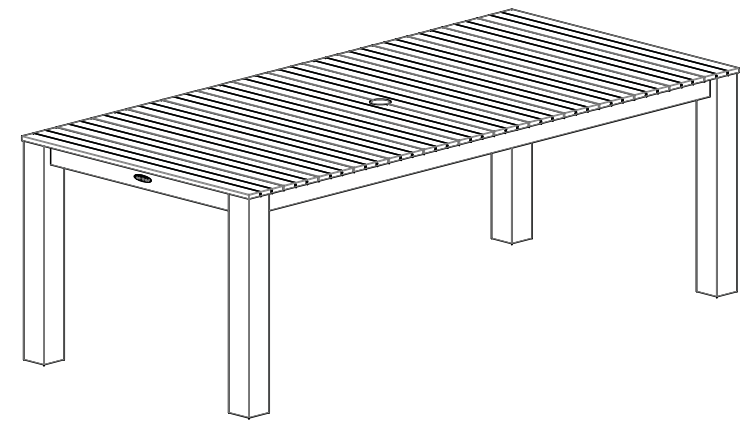
© 2011 Target Stores.

We recommend having two people on hand to safely assemble this product.

How to assemble Your Solenti Collection Dining Table



1. Carefully place the Table Top (A) face down on a protected surface. Attach Legs (B) to top of table by inserting threaded bolts at Leg top through holes at the corners of Table Top. Secure the Leg with Flat Washer (C) and Lock Nut (D) and tighten fully using Wrench provided.



2. Ensure all fittings on legs are fully tightened before turning the table upright.