



Smith & Hawken®

Metal Umbrella Base

With Smith & Hawken's 30 year history, you can rest assured that each piece we sell is impeccably crafted and beautifully designed to honor the heritage of gardening and outdoor living. We thank you for purchasing the Metal Umbrella Base.

To ensure easy assembly, please read this manual. Should you experience any problems, please contact Guest Service at 1-800-591-3869.

NOTE: BEFORE ASSEMBLING, MAKE SURE YOU HAVE ALL PARTS AND HARDWARE LISTED BELOW.

Unpack the Metal Umbrella Base on a protected, level surface and identify the following components.

Included Parts

- A. Upper Stem 11"
- B. Reduced Stem 6.5"
- C. Full Stem 17.5"
- D. Knob (2)
- E. Base

CAUTION: HANDLE WITH CARE

- To reduce personal injury and damage, read and follow this Assembly and Operation information.
- Close the umbrella in windy conditions or when a storm approaches. Never allow the umbrella to flap in the wind; this could damage the canopy.
- Do not leave open umbrella unattended.
- Do not allow children to play on or with the base.



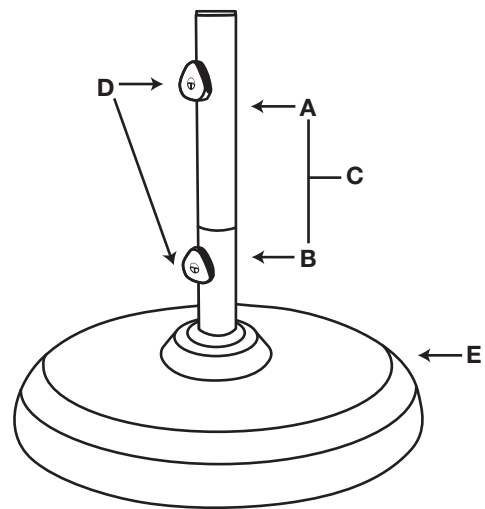
Smith & Hawken®

UNCOMPROMISING QUALITY™

Target.com/smithandhawken · Guest Service: 1-800-591-3869

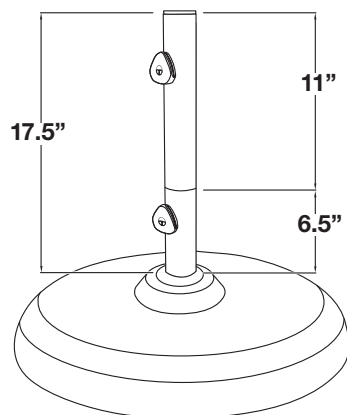
© 2011 Target Stores.

How to assemble Your Metal Umbrella Base

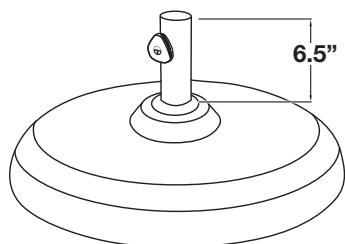


Free-standing application

1. Turn base stem (C) clockwise until fully tightened.



Recommended for free-standing



Reduce Stem for under table use

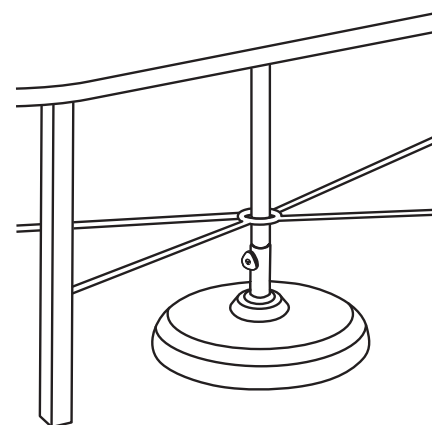


Table application