



Wood Umbrella

With Smith & Hawken's 30 year history, you can rest assured that each piece we sell is impeccably crafted and beautifully designed to honor the heritage of gardening and outdoor living. We thank you for purchasing the Wood Umbrella, a piece that's sure to bring you years of enjoyment.

To ensure easy assembly, please read this manual. Should you experience any problems, please contact Guest Service at 1-800-591-3869.

NOTE: BEFORE ASSEMBLING, MAKE SURE YOU HAVE ALL PARTS AND HARDWARE LISTED BELOW.

Unpack the Wood Umbrella on a protected, level surface and identify the following components.

Included Parts

- A. Upper Umbrella
- B. Bottom Pole
- C. Finial

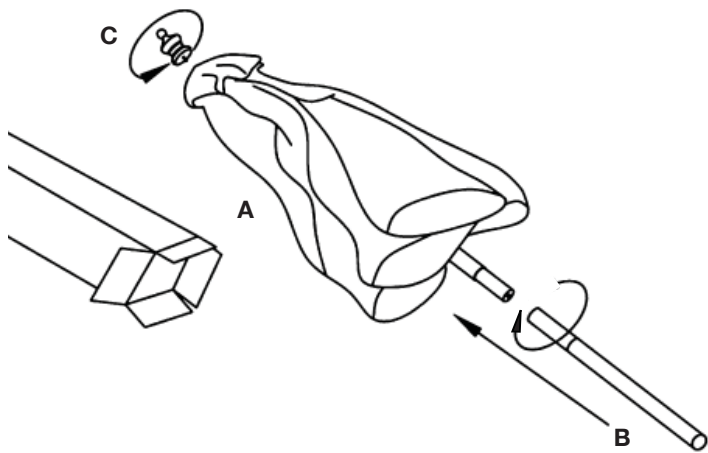


UNCOMPROMISING QUALITY™

Target.com/smithandhawken · Guest Service: 1-800-591-3869

© 2010 Target Stores.

How to assemble Your Wood Umbrella

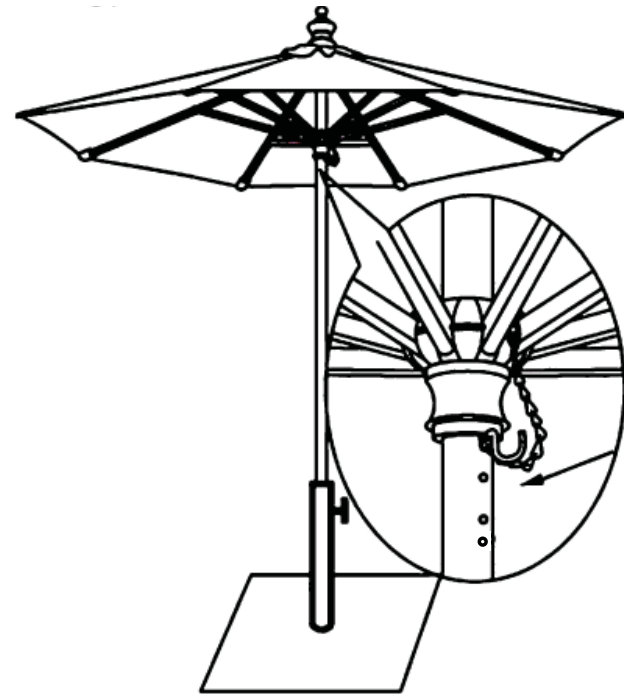
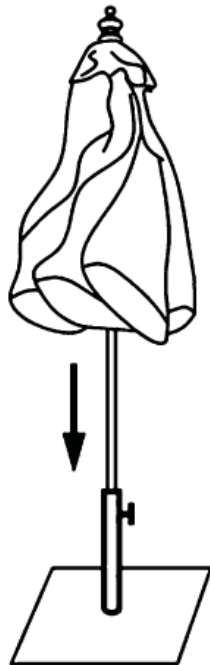


1. Remove the Upper Umbrella (A), Bottom Pole (B), and Finial (C) from the packaging.

Align the Bottom Pole (B) to the Upper Umbrella (A). Turn the Bottom Pole (B) in a clockwise direction. Fully tighten by hand. Do not use tools as you may over-tighten or damage the finish.

Align the Finial (C) with the top of the Upper Umbrella (A) through the opening on the top of the canopy fabric. Turn the Finial (C) in a clockwise direction. Fully tighten by hand. Do not use tools as you may over-tighten or damage the finish.

2. Carefully insert the Bottom Pole (B) of the umbrella into a heavy umbrella base. Base not included. Hand tighten the set screw. Some umbrella bases have two set screws(s) depending on if it is freestanding or an under a table umbrella stand.



3. Open the umbrella by pulling down on the rope. Once the canopy is opened to the desired height secure the canopy by inserting the safety pin into the hole on the upper pole. Once the pin is in place, gently release the rope pulley. You are now ready to enjoy your wood umbrella.